

# CRST4101

Dimensions:15.7X11X12mm

## Features

- 1,Low coil power consumption.
- 2,High sensitivity.
- 3,Small size,Light weight .
- 4, PC board mounting.
- 5,Suitable for automation facilities,telecommunication equipment,household electrical appliance,wireless radio remote control,sound control toys application etc

## Ordering information

**CRST4101 -C-S-DC5V-L**

1      2 3    4    5

- 1,Part number: CRST4101
- 2,Contact arrangementC:1C
- 3, Enclosure: S:Sealed type; Z:Dust cover
- 4, Coil Rated voltage(V):DC:3,5,6,9,12,24
- 5, Coil power consumption:Nil 0.36W(Standard);L:0.2W(High sensitivity)

## Contact data

Contact Arrangement	1C	
Contact Material	AgNi, AgCdO	
Conatct Rating(Resistive)	UL: 1A/240VAC;2A/120VAC;2A/24VDC CQC: 3A/250VAC;3A/28VDC	
Max. Switching Power	30W 600VA	
Max. Switching Voltage	28VDC 250VAC    Max. Switching Current:5A	
Contact Resistance or Voltage Drop	≤50m Ω	
Operation Life	Electrical	10 <sup>5</sup>
	Mechanical	10 <sup>7</sup>

## Coil Parameter

Coil voltage(VDC)		Coil Resistance Ω ±10%	Pick up Voltage VDC(Max) (75% of rated voltage)	Release voltage VDC(Min) (10% of rated voltage)	Coil power consumption (W)	Operate Time (mS)	Release Time (mS)
Rated	Max						
5	5.5	125	3.75	0.5	0.2	≤10	≤5
9	9.9	405	6.75	0.9			
12	13.2	720	9.00	1.2			
24	26.5	2880	18.0	2.4			

Caution:1,The use of any coil voltage less than the rated coil voltage will compromise the operation of the relay.

2,Pick up and release voltage are for test purposes only and are not be used as design criteria.

## Operation condition

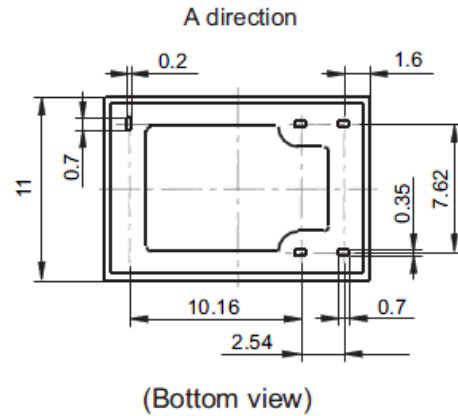
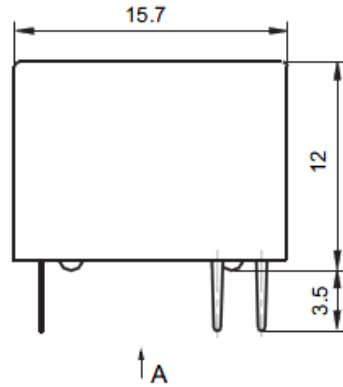
Insulation Resistance	100M Ω (at 500VDC)	
Dielectric Strength	Between Contacts	500VAC 1min
	Between Contacts and Coil	1000VAC 1min
Shock Resistance	Functional	98m/s <sup>2</sup>
	Destructive	980m/s <sup>2</sup>
Vibration Resistance	10~55Hz 1.5mm DA	
Ambient Temperature	-45~85℃	

Relative Humidity	5%~85% RH
Termination	PCB
Construction	Plastic sealed, Flux proofed
Unit weight	Approx.5g

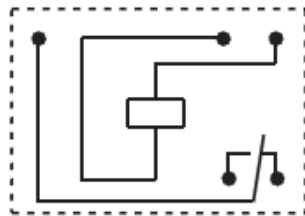
**Dimensions(mm/Inch)**

**Outline Dimensions**

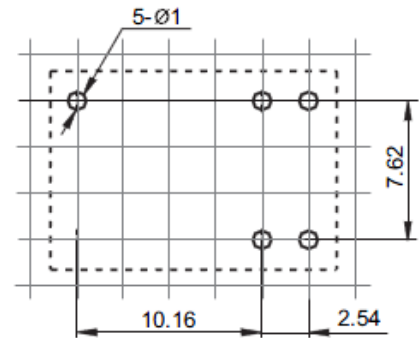
CRST4101



**Wiring Diagram (Bottom view)**



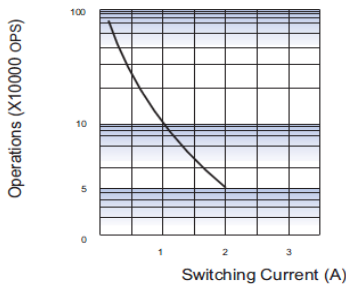
**PCB Layout (Bottom view)**



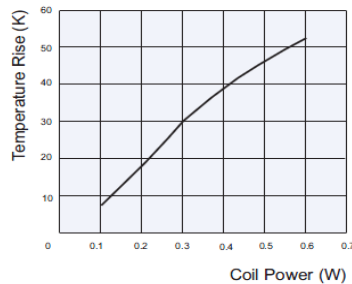
Dimension Tolerance: <1mm: ±0.2mm  
 1--5mm: ±0.3mm  
 >5mm: ±0.5mm

**参考数据 Reference Data**

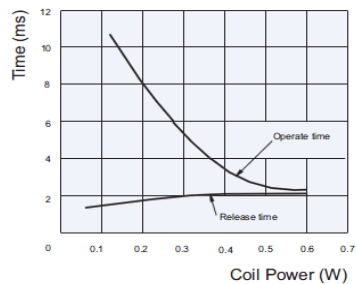
ENDURANCE CURVE



COIL TEMPERATURE RISE



OPERATE TIME



**Test conditions:**  
 Resistive load, Room temp., 1s on 9s off.